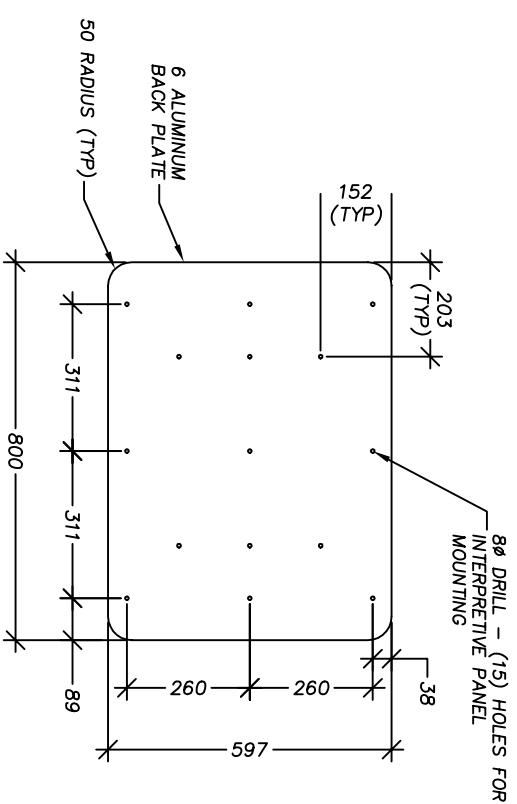
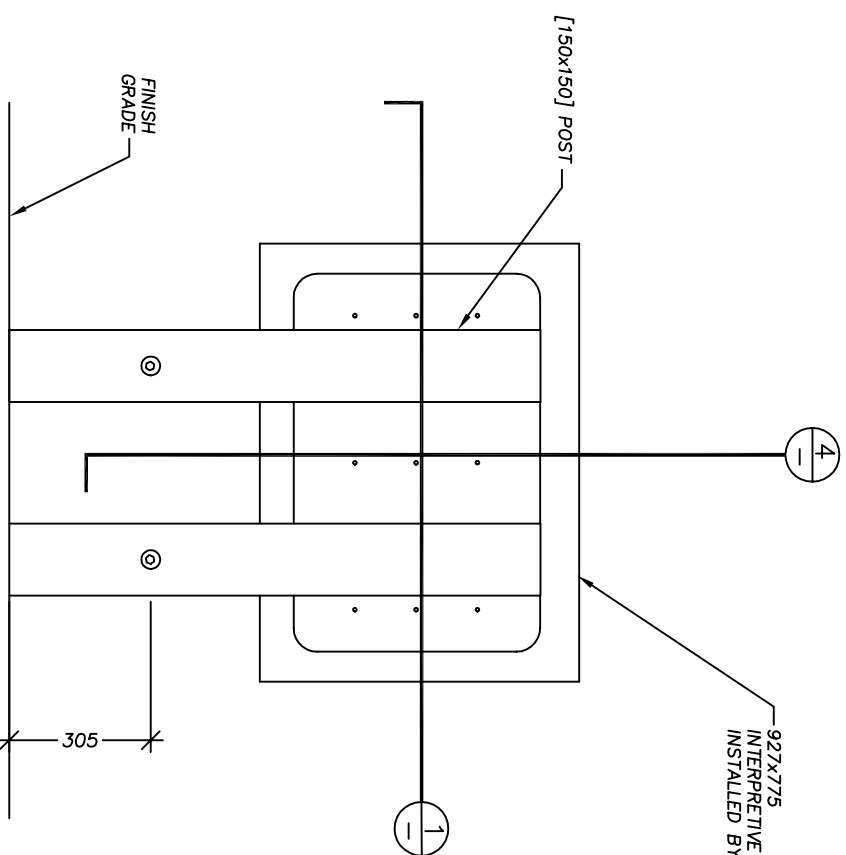


1 SECTION
4

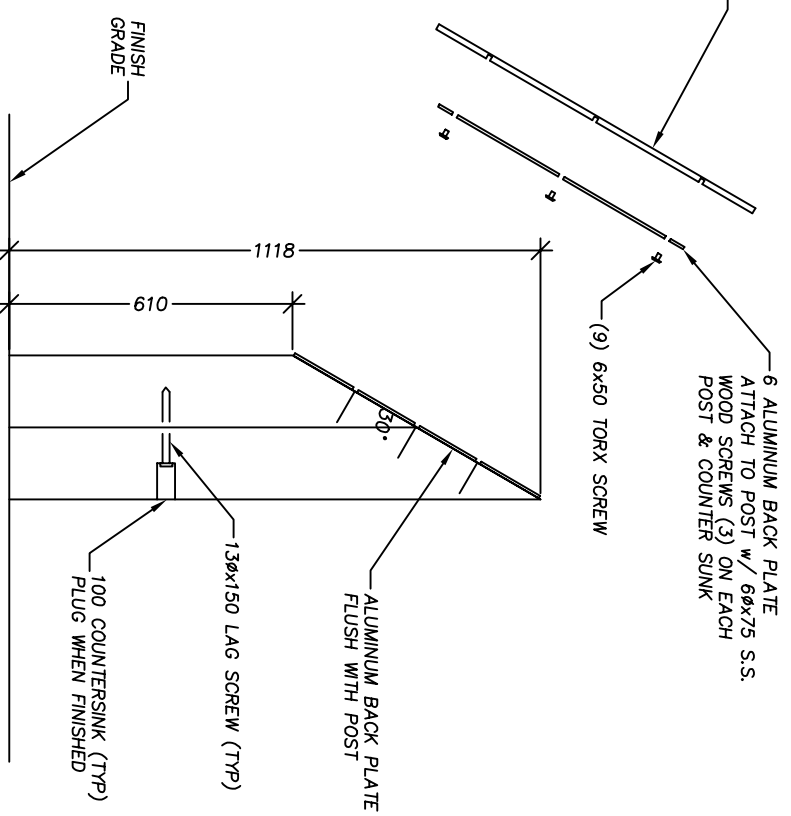


3 ALUMINUM BACK PLATE
4

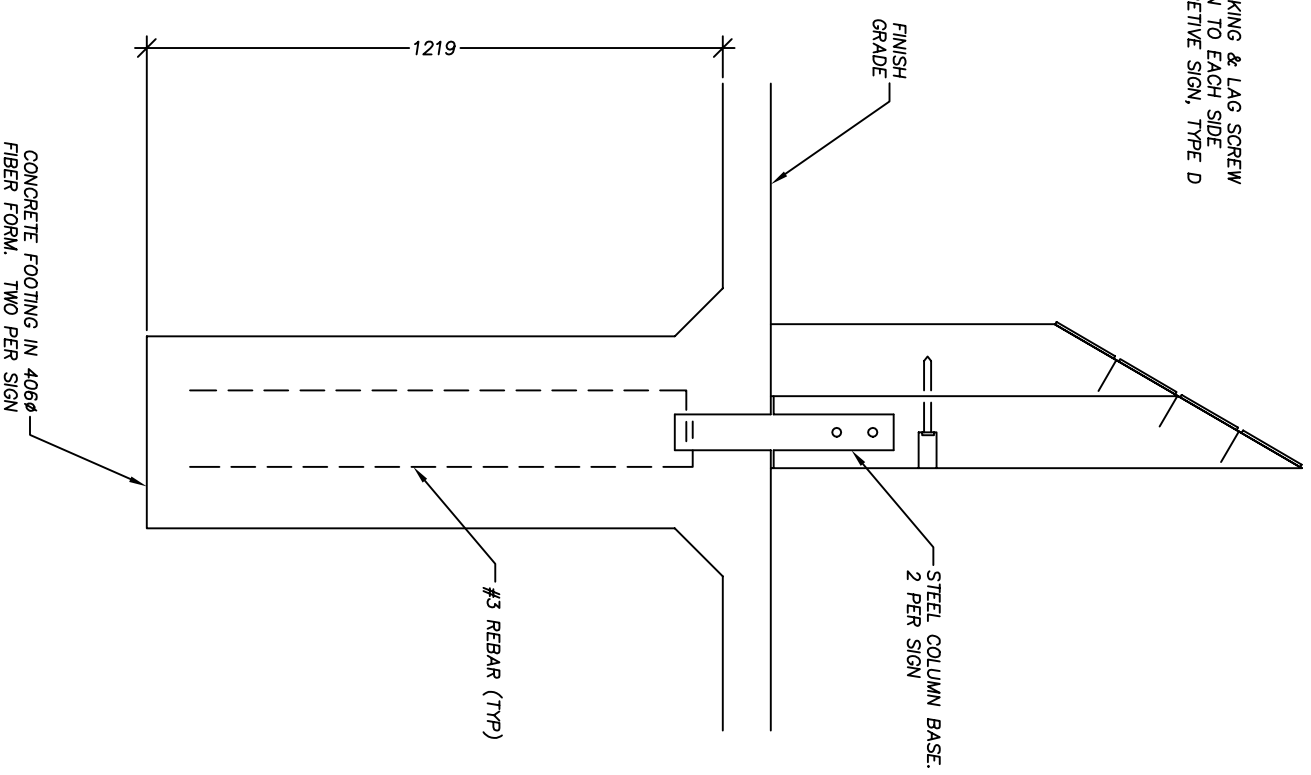
NOTE: INSTALL BLOCKING & LAG SCREW CONNECTION TO EACH SIDE OF INTERPRETIVE SIGN, TYPE D



2 BACK ELEVATION
4



4 SECTION
4



5 FOOTING
4

