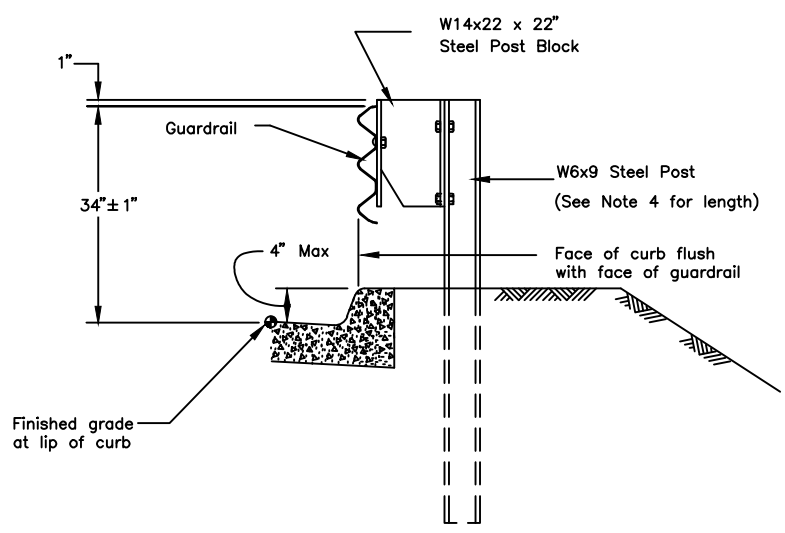


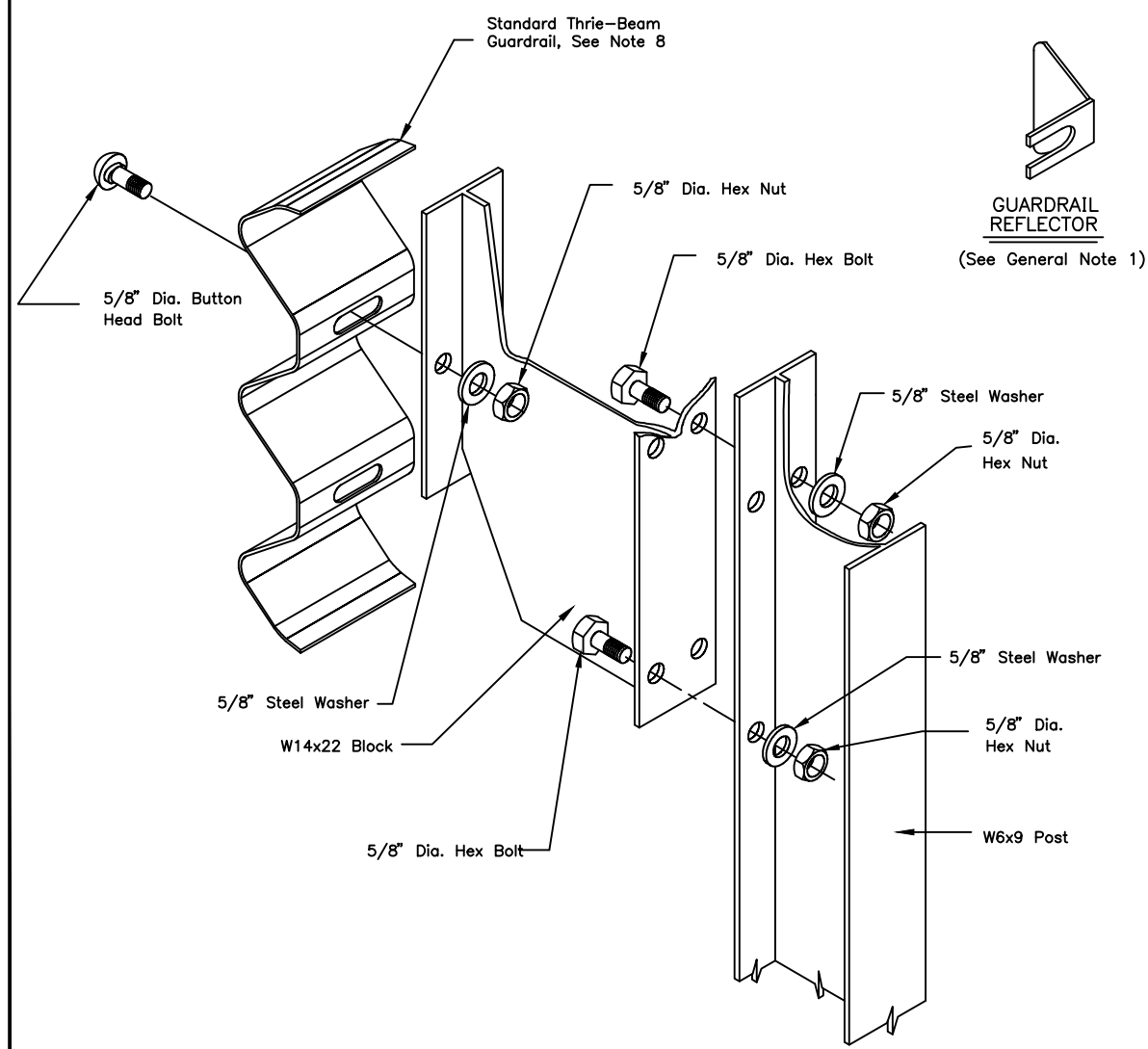
TYPE I POST INSTALLATION



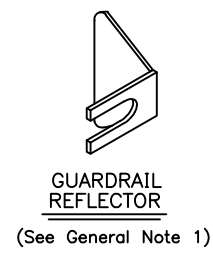
CURB DETAIL
TYPE III POST INSTALLATION

GENERAL NOTES:

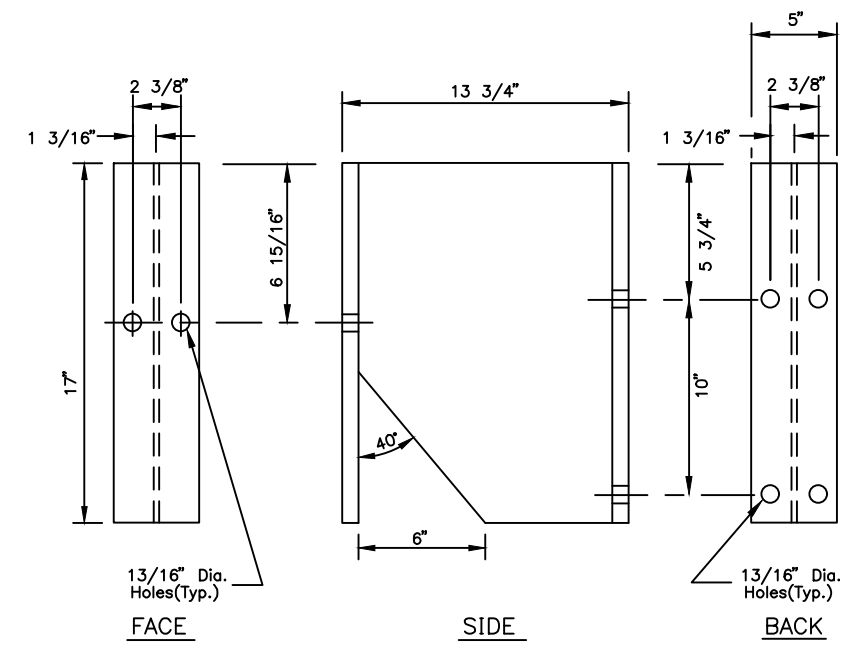
1. Attach guardrail reflector to rail panel using a 5/8" button head bolt with 5/8" recessed head hex nut and steel washer in a mid-span bolt slot in the upper indentation of the rail panel. Begin 37-1/2" from the first applicable guardrail post. Install reflectors every 25' on tangents and every 12.5' on curves starting 100' before the P.C. and ending 100' after the P.T. Type A reflectors shall be used unless specified otherwise on the plans.
2. All covered hardware shall comply with the Task Force 13 (TF 13) Guide to Standardized Roadside Safety Hardware online publication.
3. See Standard Plan G-00, "Standard Guardrail Hardware" for hardware details.
4. See Standard Plan G-10, "Beam Guardrail Post Installation" for post lengths corresponding to different combinations of slope and behind-post embankment width.
5. Mount rail to block with a bolt on the approaching-traffic side of block web.
6. Typical post spacing is 6'-3" center to center.
7. This barrier is acceptable under NCHRP 350, TL3 and TL4.
8. Furnish RTM04a-04b thrie-beam rail panels.



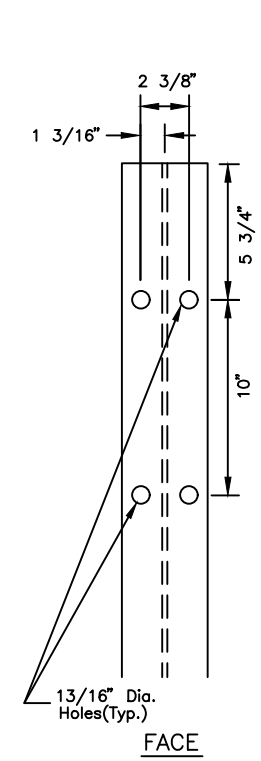
ASSEMBLY DETAIL



GUARDRAIL REFLECTOR
(See General Note 1)



W14x22 POST BLOCK



W6x9 STEEL POST

State of Alaska DOT&PF
ALASKA STANDARD PLAN
STEEL POST MODIFIED
THRIE-BEAM
GUARDRAIL

Adopted as an Alaska Standard Plan by: *Carolyn Morehouse*
Carolyn Morehouse, P.E.
Chief Engineer

Adoption Date: 7/17/2020

Last Code and Stds. Review
By: KLK Date: 7/8/2020
Next Code and Standards Review Date: 7/8/2030

G-09.05S