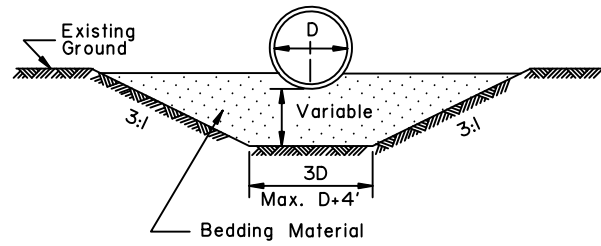


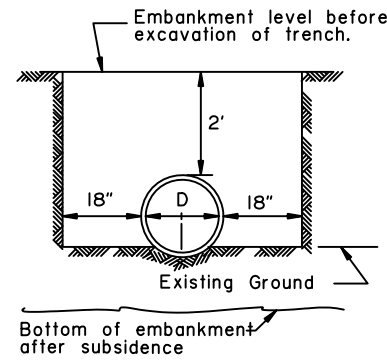
GENERAL NOTES:

1. Sidefill shall be placed and compacted with care under haunches of pipe and shall be brought up evenly and simultaneously on both sides of pipe to 1 foot above the top of the full length of the pipe.
2. Alternate installation methods may only be used when specified or approved by the Engineer.

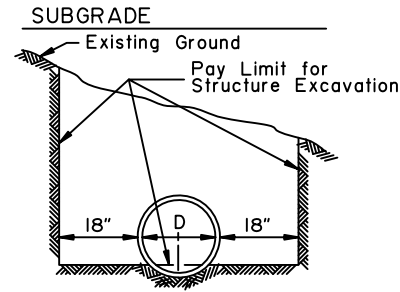


TYPE "A"  
FOUNDATION STABILIZATION

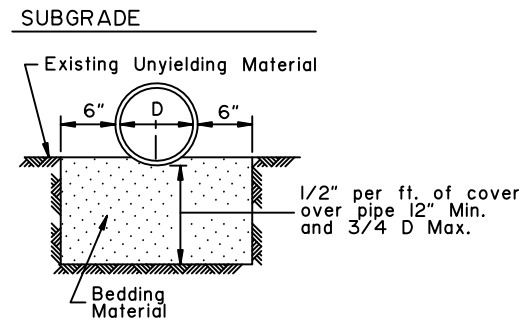
To be used in unstable areas as directed by the Engineer.



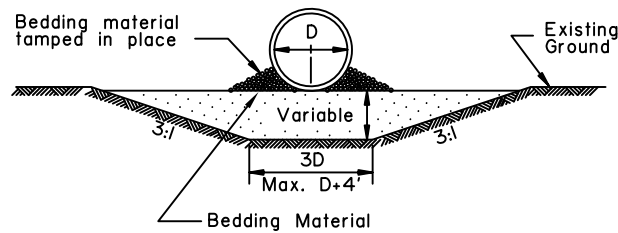
TYPE "B"



TYPE "C"

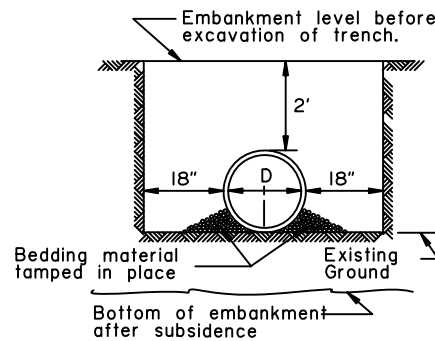


TYPE "D"  
ROCK OR UNYIELDING MATERIAL

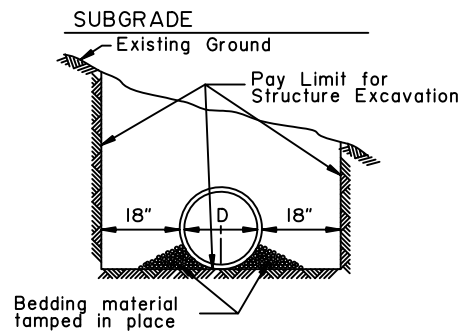


'ALTERNATE'  
TYPE "A"  
FOUNDATION STABILIZATION

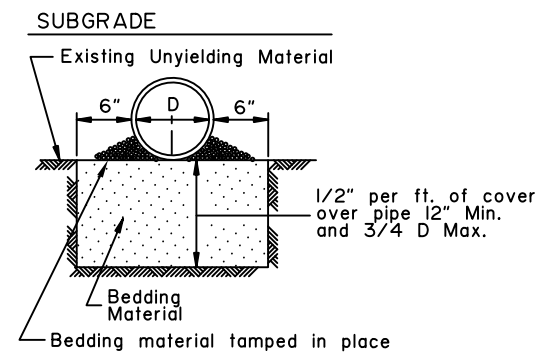
To be used in unstable areas as directed by the Engineer.



'ALTERNATE'  
TYPE "B"

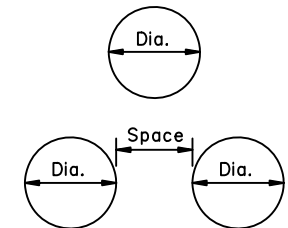


'ALTERNATE'  
TYPE "C"



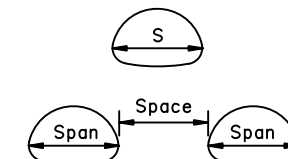
'ALTERNATE' TYPE "D"  
ROCK OR UNYIELDING MATERIAL

D = Nominal Pipe Diameter



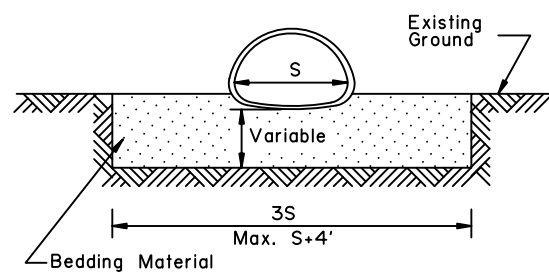
MULTIPLE INSTALLATIONS	
Dia.	Minimum Space Between Pipes
0" - 42"	24"
48" & Over	1/2 Dia. of pipe or 3', whichever is less.

S = Nominal Pipe Arch Span



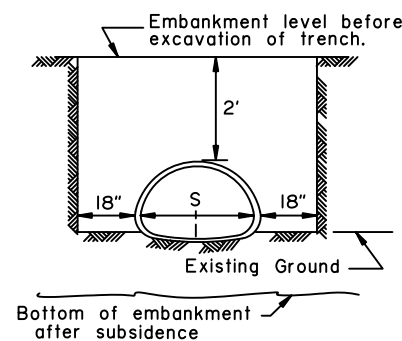
MULTIPLE INSTALLATIONS	
Dia.	Minimum Space Between Pipes
0" - 42"	24"
48" & Over	1/2 Span of pipe arch or 3', whichever is less.

CULVERT PIPE

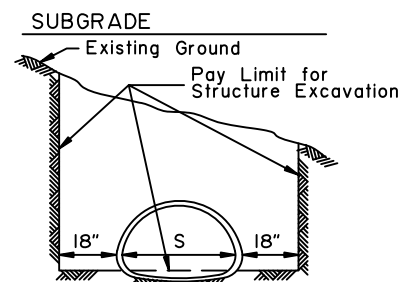


TYPE "A"  
FOUNDATION STABILIZATION

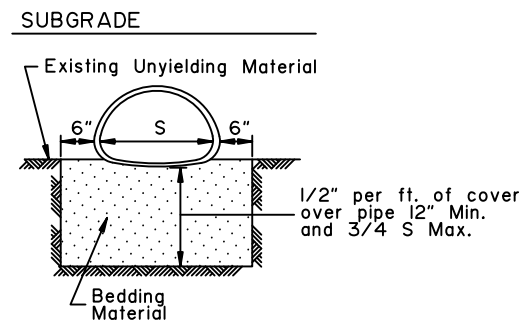
To be used in unstable areas as directed by the Engineer.



TYPE "B"



TYPE "C"



TYPE "D"  
ROCK OR UNYIELDING MATERIAL

ARCH

State of Alaska DOT&PF  
ALASKA STANDARD PLAN  
CULVERT PIPE & ARCH  
INSTALLATION DETAILS

Adopted as an Alaska Standard Plan by: *Kenneth J. Fisher*  
Kenneth J. Fisher, P.E.  
Chief Engineer

Adoption Date: 02/08/2019

Last Code and Stds. Review  
By: Date:

Next Code and Standards Review date: 02/08/2029